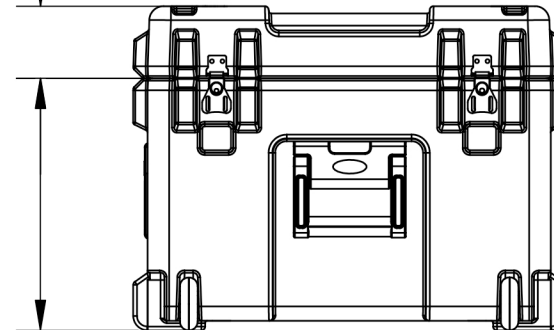


3.75"
(3.25")



13.13"
(11.38")

3R1919-14



CASES2GO

NOTE: DIMENSIONS IN (X.XX) ARE ID

434 West Levers Place
Orange, CA 92867
Phone: (714) 637-1252
Fax: (714) 637-0491
<http://www.skbcases.com>

This drawing and all information details are the sole property of SKB Corporation, Orange CA. Any unauthorized use will be punished to the full extent of the law.

Case Series:	Mil-Standard	Dimensions (for reference only)			
		Length	Width	Overall	Base / Lid
Case part#	3R1919-14				
		left to right	front to back	height	height
Weight:	19.6 LBS EMPTY	22.50"	22.50"	16.88"	13.13"-3.75"
		Interior	19.00"	19.00"	14.63"
		Exterior	22.50"	22.50"	16.88"

5

↑

4

3

2

1